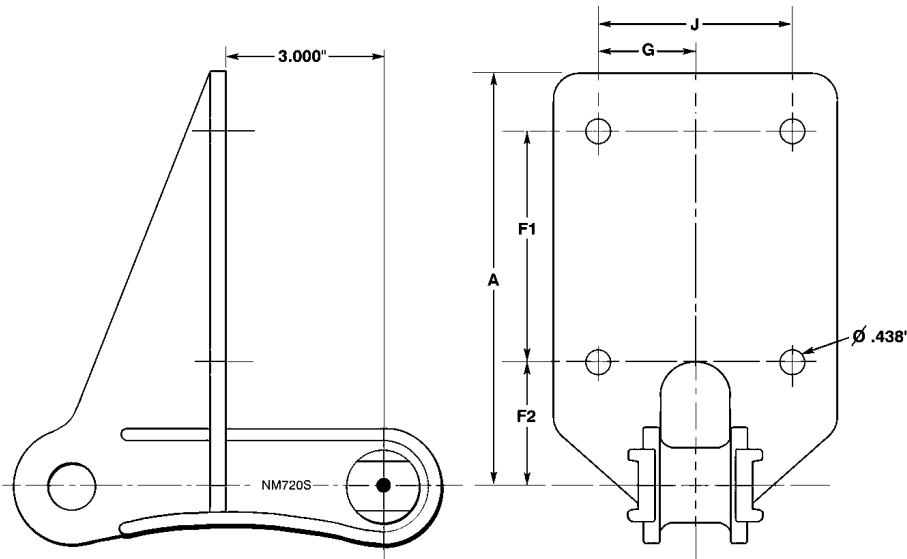


Chain No.	Pitch P (in.)	Minimum Ultimate Strength (lbs.)	Weight (lbs./ft.)	Barrel		Pin			Link	Side Bar	
				Outside Dia. D (in.)	Width W (in.)	Outside Dia. d	Material	Length L (in.)	Material	Height H (in.)	Inside Width L1 (in.)
NM720S	6.000	7,500	1.6	1.438	1.375	.932	Glass Filled Nylon	3.892	Unfilled Acetal	2.250	2.016



Potable Water Application
 Material: Acetal
 NSF61 certified trade name: Delrin 100P
 Manufacturer: E.I. Dupont

Drawing item #1

Flight Attachment Size	Height A (in.)	Dimension F1 (in.)	Dimension F2 (in.)	Dimension J (in.)	Dimension G (in.)
F-228	8.000	4.500	2.375	3.750	1.875
F-226	6.125	2.625	2.375	3.750	1.875

Drawn
Sales Drawing

Approved
Sales Drawing

NOT TO SCALE

GUARDIAN
ENVIRONMENTAL PRODUCTS

NM720S Non-metallic
Collector Chain

Part # 5-1111-2