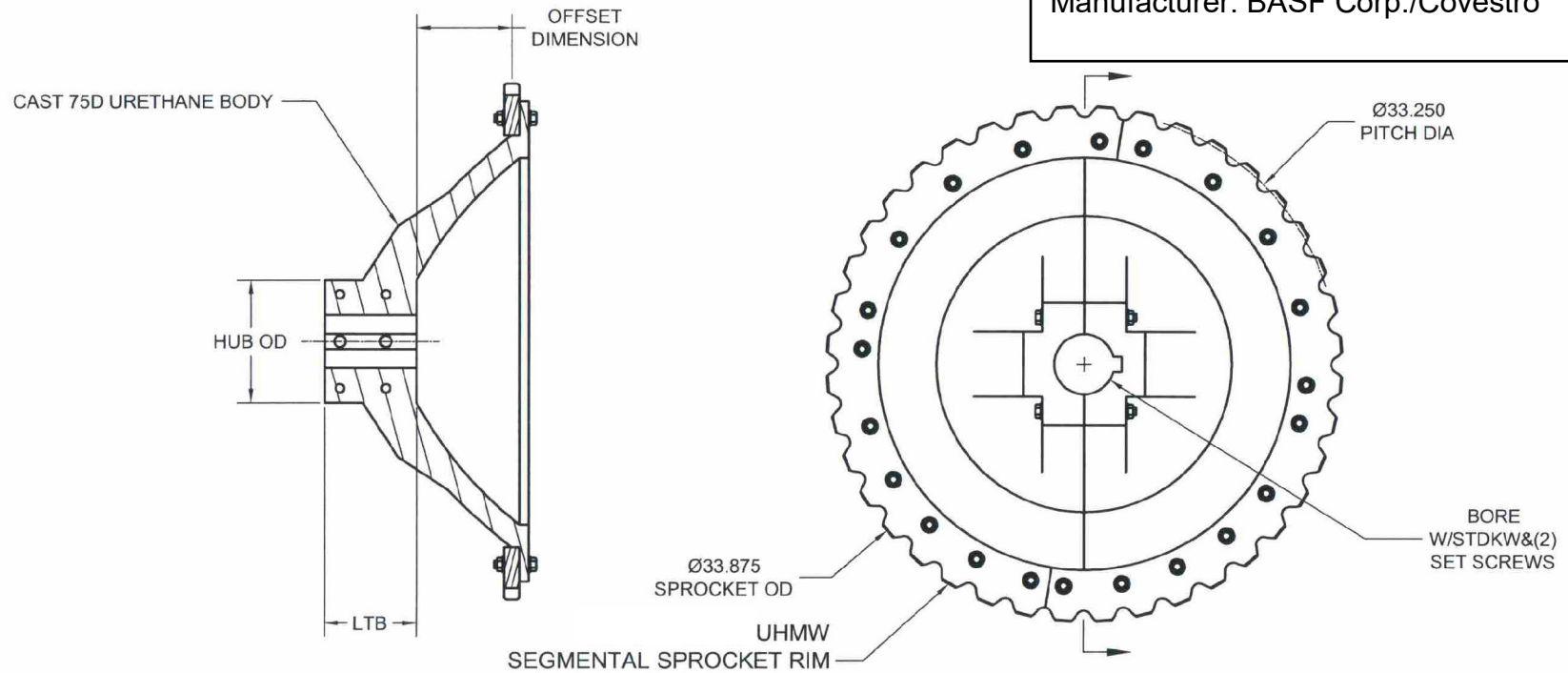


Potable Water Application  
 Material: Polyurethane  
 NSF61 certified trade name: Elastollan/Textin 972D  
 Manufacturer: BASF Corp./Covestro



DISHED NON-METALLIC DRIVE SPROCKET BODIES MATERIAL-75D URETHANE				
# TEETH	PITCH DIA.	MAX BORE	LTB	OFFSET
40	33.25	4.9375"	6.250 MIN	1.50"
40	33.25	4.9375"	6.250 MIN	3.00"
40	33.25	4.9375"	6.250 MIN	4.50"
40	33.25	4.9375"	6.250 MIN	6.25"

SEGMENTAL SPROCKET RIM MATERIALS: STANDARD-BLK REPRO UHMW, OPTIONAL- NYLON, URETHANE  
 HUB BOLTS-(4) 3/8-11X6 1/2" LONG, SPROCKET RIM BOLTS-(22) 1/2-13X2" LONG, (2) 1/2-13X3" LONG, ALL HARDWARE 18-8 ST ST  
 (OPTIONAL-316SS)

UNLESS OTHERWISE SPECIFIED  
 DIMENSIONS ARE IN INCHES.  
 MACH/TOL: ±.010" ANG/TOL: ±10 MIN  
 FAB/TOL: ±1/16 TO 24" ±1/8 OVER 24"

**Drawing Item # 8**

Drawn Staff	
Approved Engineering	
NOT TO SCALE	Driven Sprocket – 40 Tooth Non-Metallic, fully molded body  Part # 4-1256-X-XX